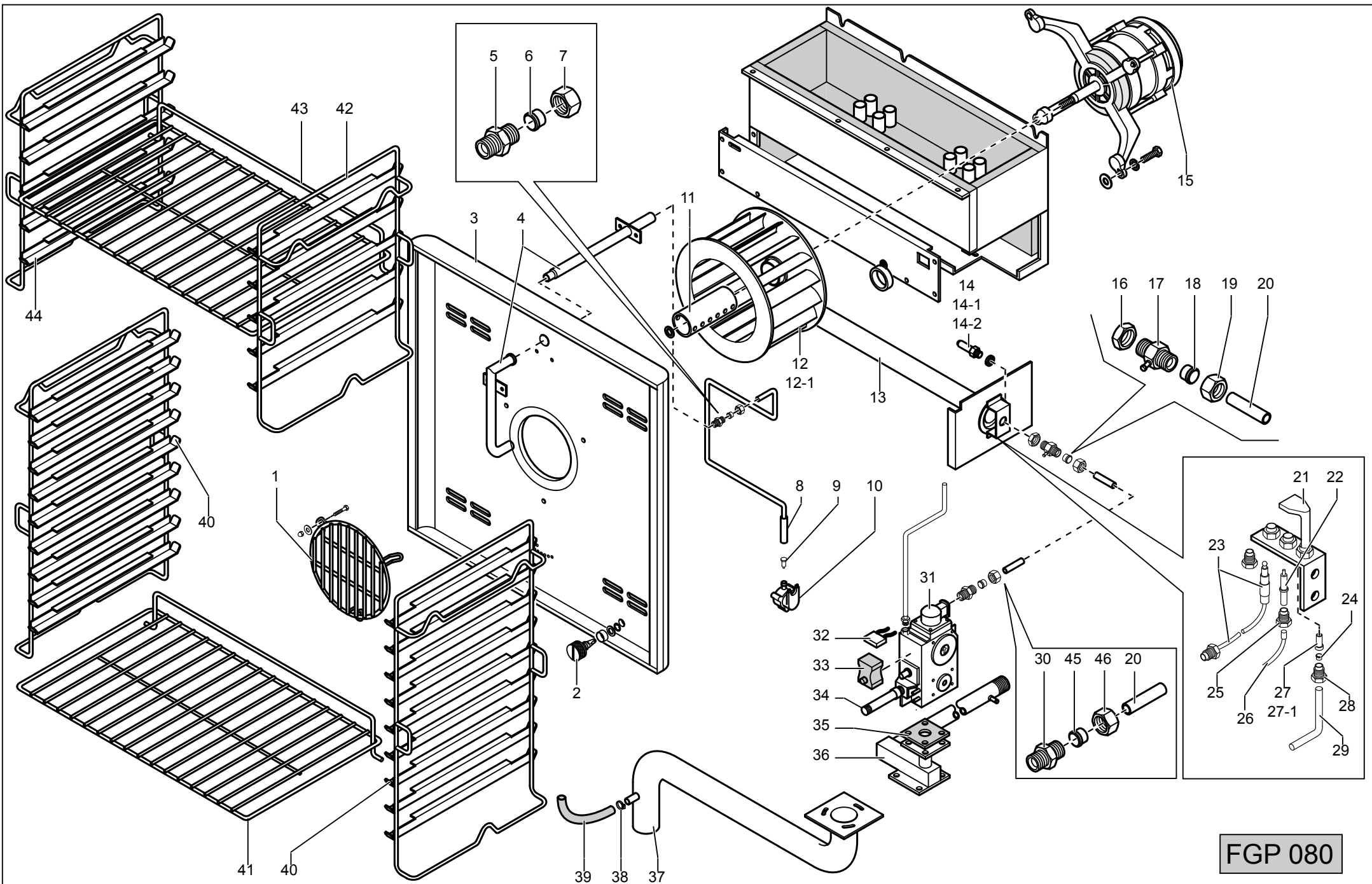


FGP 080

JOKER

TAV. 730

| | | | | | | |
|----------------|------|------------|--------------------------------|--|-------------------------------|--------------------------------|
| FORNI TAV. 730 | 1 | GAFOC00030 | AS.CERN.SUP.SX P.F.FCV. | CHARNIÈRE SUPÉRIEURE GAUCHE | INGE PIN SUPER.LEFT | TÜRANGEL OBEN LINKS |
| FORNI TAV. 730 | 10 | RTFOC00337 | ANELLO INT.GRADINO MAN.P.F.FCV | ANNEAU INTERIEUR EPAISSEUR | INNER RING | INNENRING |
| FORNI TAV. 730 | 11 | 161597 | AS. CASSETTO SX INT. P.F. | GROUPE BASSIN GAUCHE | UNIT DRAWER LEFT | GRUPPE SCHUBLADE LINKE |
| FORNI TAV. 730 | 1-1 | GAFOC00213 | AS.CERN.SUP.DX P.F.FCV | CHARNIÈRE SUPÉRIEURE DROITE | INGE PIN SUP. RIGHT | TÜRANGEL RECHTS |
| FORNI TAV. 730 | 11-1 | 161600 | AS. CASSETTO DX INT. P.F. | GROUPE BASSIN DROITE | UNIT DRAWER RIGHT | GRUPPE SCHUBLADE RECHTS |
| FORNI TAV. 730 | 12 | 161135 | CASSETTO SX | BASSIN GAUCHE | TRAY LEFT | SCHUBLADE LINKS |
| FORNI TAV. 730 | 12-1 | 161574 | CASSETTO DX | BASSIN DROITE | TRAY RIGHT | SCHUBLADE RECHTS |
| FORNI TAV. 730 | 13 | RTFOC00413 | PIEDINO+T.OTTAG.FGC065/87,5 | PIED | FOOT | FUSS |
| FORNI TAV. 730 | 14 | RTFOC00711 | MICROINT.FCV. RMP UNIPOL.30907 | MICRO-INTERRUPTEUR PORTE DU FOUR | MICRO OVEN DOOR | MIKRO OFENTÜR |
| FORNI TAV. 730 | 15 | GAFOC00201 | AS.CRUSCOTTO FGC100/1 | PANNEAU DE CONTRÔLE | CONTROL PANEL | STIRNBRETT |
| FORNI TAV. 730 | 16 | PAFOC00542 | FIANCO DX FGC100/1 | CÔTÉ DROITE | RIGHT SIDE | RECHTE SEITE |
| FORNI TAV. 730 | 17 | PAFOC00545 | POSTERIORE INOX FGC100/1 | PANNEAU POSTERIEUR | BACK PANEL | HINTEN |
| FORNI TAV. 730 | 18 | GAFOC00194 | AS.COPERCHIO FGC100/1 | COUVERCLE EXT. | COVER EXT. | ABDECKUNG |
| FORNI TAV. 730 | 19 | PAFOC00543 | FIANCO SX FGC100/1 | CÔTÉ GAUCHE | LEFT SIDE | LINKE SEITE |
| FORNI TAV. 730 | 2 | 161169 | GR. VETRO INT. SX/DX | GROUPE VERRE INTERIEUR GAUCHE/DROITE | INNER UNIT GLASS LEFT/RIGHT | GRUPPE INNENGLAS RECHTS/LINKE |
| FORNI TAV. 730 | 20 | 161502 | AS. GHIERA BLOCCO VETRO | GROUPE BAGUE BLOCCO VERRE | UNIT LUCKING GLASS NUT | GRUPPE GEFESTIGUNGSMUTTER GLAS |
| FORNI TAV. 730 | 21 | GAFOC00027 | AS.C/FORO CASS.FCV. | COUVRE TROU | PLUG | LOCHABDECKUNGSPROPFFEN |
| FORNI TAV. 730 | 22 | RTFOC00555 | AT.GRIGLIA LAT.F.FCV | ATTAQUE GRILLE LATÉRALE | GRILL CONNECTION SIDE | GRILLAUFPLAGE SEITE |
| FORNI TAV. 730 | 23 | RTFOC00476 | ASTA TRAS.SCA.COND.FEC060/1NIC | BARRE TRANSVERSAL | ROD TRANSVERS. | STAB |
| FORNI TAV. 730 | 24 | RTFOC00507 | ASTA ANT.SCA.COND.FGC060/1 NIC | BARRE ANTÉRIEUR | ROD ANTERIOUR | STAB VORNE |
| FORNI TAV. 730 | 25 | 161660 | MANOP.COND.FCV.TURCH.EKK25B | BOUTON | KNOB | DREHGRIF |
| FORNI TAV. 730 | 26 | RTFOC00382 | *CORNICHE FIS.VETRO P/LAMP.FCV | CADRE DU PORTELAMPE | MOULDING P/LAMP | UMRAHMUNG P/LAMPE |
| FORNI TAV. 730 | 27 | 161283 | GUARNIZIONE P/LAMPADA | GARNITURE DU PORTELAMPE | GASKET P/LAMP | DICHTUNG P/LAMPE |
| FORNI TAV. 730 | 28 | RTFOC00201 | *VETRO P/LAMPADA FCV. | VERRE DU PORTELAMPE | GLASS P/LAMP | GLAS P/LAMPE |
| FORNI TAV. 730 | 29 | RTFOC00036 | PORTA LAMPADA | PORTELAMPE | DOOR LAMP | PORTA LAMPE |
| FORNI TAV. 730 | 3 | 161161 | AS. PORTA FORNO SX | PORTE DU FOUR GAUCHE | OVEN DOOR LEFT | OFENTÜR LINKS |
| FORNI TAV. 730 | 30 | RTFOC00037 | LAMPADA | LAMPE | LAMP | LAMPE |
| FORNI TAV. 730 | 31 | RTFOC00009 | GANCIO | CROCHET | HOOK | HAKEN |
| FORNI TAV. 730 | 3-1 | 161570 | AS. PORTA FORNO DX | PORTE DU FOUR DROITE | OVEN DOOR RIGHT | OFENTÜR RECHTS |
| FORNI TAV. 730 | 32 | RTFOC00005 | ZOCCOLO ESTERNO | GODET EXTÉRIEUR | OUTWARD BASE | SOCKEL AUSSEN |
| FORNI TAV. 730 | 33 | GAFOC00051 | SERRATURA | SERRURE | LOCK | SCHLOSS |
| FORNI TAV. 730 | 34 | RTFOC00057 | ZOCCOLO CENTRALE | GODET CENTRAL | CENTRAL BASE | SOCKEL ZENTRAL |
| FORNI TAV. 730 | 35 | 161513 | MOLLA FERMO GHIERA | RESSORT DE LA SERRURE DU VIROLE | FERRULE LOCK SPRING | FEDER DES MUTTER-SCHLOSSES |
| FORNI TAV. 730 | 36 | RTMIN00114 | DADO CECO M6 | ECROU | NUT | MUTTER |
| FORNI TAV. 730 | 37 | 161581 | AS. PROTEZ. SERRATURA DX | GROUPE PROTECTION SERRURE DROITE | UNIT RIGHT LOCK PROTECTION | GRUPPE SHUTZSCHLOSS RECHTZ |
| FORNI TAV. 730 | 37-1 | 161166 | AS. PROTEZ. SERRATURA SX | GROUPE PROTECTION SERRURE GAUCHE | UNIT LEFT LOCK PROTECTION | GRUPPE SHUTZSCHLOSS LINKE |
| FORNI TAV. 730 | 38 | 161411 | GUARNIZIONE CRUSCOTTO | GARNITURE PANNEAU DE CONTRÔLE | CONTROL PANEL GASKET | DICHTUNGSTIRNBRETT |
| FORNI TAV. 730 | 39 | RTFOC00722 | GUARNIZIONE FACCIATA | GARNITURE DEVANTURE | GASKET FACE | DICHTUNG OFENVORDERWAND |
| FORNI TAV. 730 | 4 | 161172 | VETRO ESTERNO SX/DX | VERRE EXTER GAUCHE/DROITE | EXTERNAL GASKET LEFT/RIGHT | EXTERNER GLAS RECHTS/LINKE |
| FORNI TAV. 730 | 40 | 161494 | DISTANZIALE VETRO | ENTRTOISE VERRE | GLASS SPACER | DISTANZSTÜCK GLAS |
| FORNI TAV. 730 | 41 | 161477 | GOMMINO PORTA FORNO | BOUCHON DE LA PORTE | DOOR RUBBER CAP | TÜRGUMMI |
| FORNI TAV. 730 | 42 | AFC0000090 | CAMINO ANTIVENTO | CHEMINÉE ANTIVENT | CHIMNEY | KAMIN WINDSCHUTZ |
| FORNI TAV. 730 | 5 | 161482 | GUARNIZIONE VETRO ESTERNO | GARNITURE VERRE EXTÉR. | EXTERNAL GASKET GLASS | EXTERNER GLASDICHTUNG |
| FORNI TAV. 730 | 6 | PAFOC00583 | CERN.INF.P.F.DX FCV | CHARNIÈRE INFÉRIEUR DROITE PORTE DU FOUR | INGE PIN INF. RIGHT | TÜRANGEL INF. RECHTS |
| FORNI TAV. 730 | 6-1 | 161387 | CERN.INF.P.F.SX FCV | CHARNIÈRE INFÉRIEUR GAUCHE PORTE DU FOUR | INGE PIN INFER.LEFT | TÜRANGEL UNTENLINKS |
| FORNI TAV. 730 | 7 | 160912 | MANIGLIA | POIGNÉE | HANDLE | HANDGRIF |
| FORNI TAV. 730 | 8 | RTFOC00338 | ANELLO EST.MAN.P.F.FCV. | ANNEAU EXT. POIGNÉE PORTE DU FOUR | OUTWARD RING OVEN DOOR HANDLE | HANDGRIF |
| FORNI TAV. 730 | 9 | 160911 | BASSETTA MANIGLIA | EPAISSEUR POIGNÉE | HANDLE | HANDGRIF |



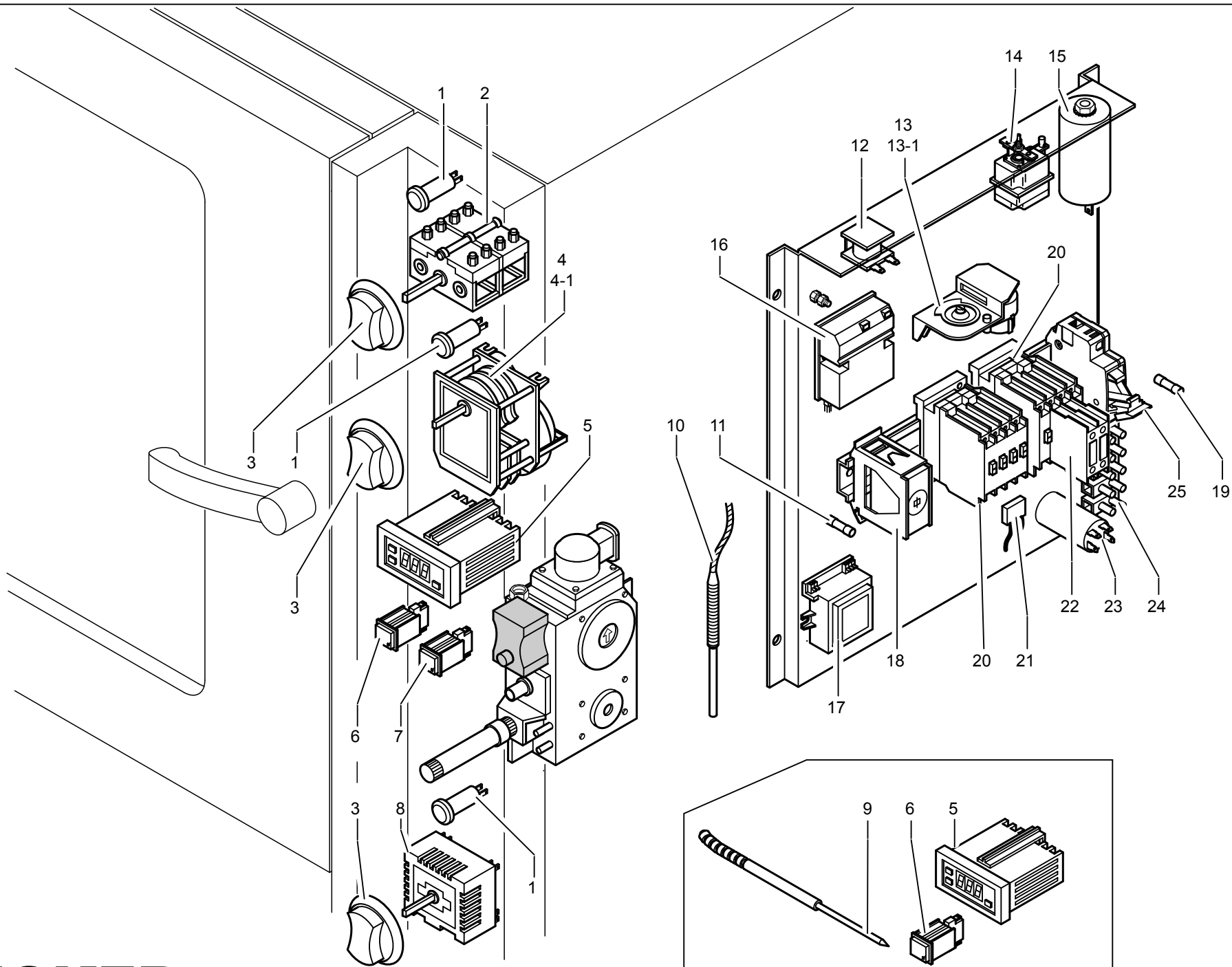
FGP 080

JOKER

TAV. 731

| | | | | | | |
|----------------|------|------------|--------------------------------|--------------------------------------|-------------------------------|--------------------------------|
| FORNI TAV. 731 | 1 | RTFOC00174 | GRIGLIA PROT.VENT.FCV.INOX | GRILLE DE PROTECTION | GRILL IMPELLER PROTECTION | SCHUTZGITTER SCHORNSTEIN |
| FORNI TAV. 731 | 10 | RTFOC00022 | ELETTROVALVOLA | SOUPAPE | ELECTRIC VALVE | ELEKTROVENTIL |
| FORNI TAV. 731 | 11 | RTFOC00437 | NEBULIZZATORE FGC065 | NÉBULISATEUR | DISTRIBUTOR | ZERSTÄUBER |
| FORNI TAV. 731 | 12 | RTFOC00517 | GIRANTE VENT.10G D.270 P.R. | MOBILE 50HZ | IMPELLER 50HZ | LAUFRAD 50HZ |
| FORNI TAV. 731 | 12-1 | RTFOC00530 | GIRANTE VENT.10G D270 P.R.60HZ | MOBILE 60HZ | IMPELLER 60HZ | LAUFRAD 60HZ |
| FORNI TAV. 731 | 13 | GAFOC00073 | AS.BRUC.FGC100 | BRÛLEUR | BURNER | BRENNER |
| FORNI TAV. 731 | 14 | RTCP800168 | INIET.1/4"D.3.20 K | INJECTEURG.20 20MBAR 315K | INJECTORG.20 20MBAR 315K | EINSPRITZERG.20 20MBAR 315K |
| FORNI TAV. 731 | 14-1 | RTFOC00233 | INIET.1/4"D.1.95 K | INJECTEURGPL 29 37MBAR195K | INJECTORGPL 29 37MBAR195K | EINSPRITZERGPL 29 37MBAR195K |
| FORNI TAV. 731 | 14-2 | RTCP800016 | INIET.1/4"D.1.70 K | INJECTEURGPL 29/ 37MBAR170K | INJECTORGPL 29/ 37MBAR170K | EINSPRITZERGPL 29/ 37MBAR170K |
| FORNI TAV. 731 | 15 | RTFOC00066 | MOTORE VENT.FEC100 M8035E31761 | MOTEUR | MOTOR | MOTOR |
| FORNI TAV. 731 | 16 | RTCP800013 | DADO 1/2" ESAGONALE 27 X 7 | ECROU1/2" | NUT 1/2" | MUTTER 1/2" |
| FORNI TAV. 731 | 17 | RTCP800012 | SUPPORTO INIET.1/2"BRUC.GBR | SUPPORTO INJECTEUR | SUPPORT INJECTOR 1/2" | HALTERUNG EINSPRITZER |
| FORNI TAV. 731 | 18 | RTBF800137 | BICONO D.14 ART.182 GBR | BICONE D.14 | DOUBLE CONE D.14 | DOPPELKONUS D.14 |
| FORNI TAV. 731 | 19 | RTBF800015 | CALOTTA D.14 ART.181 GBR | ECROU D.14 | NUT D.14 | MUTTER D.14 |
| FORNI TAV. 731 | 2 | RTFOC00334 | AT.RAPIDO K1610/TA16/C16X | ATTAQUE RAPIDE | CONNECTION | SCHNELLANSCHLUSS |
| FORNI TAV. 731 | 20 | RTFOC00490 | TU.AL.BRUC.FGC060/1 | TUYAU D'ALIMENTATION DU BRÛLEUR | PIPE.BURNERCHAMBER | ROHR .KAMMER |
| FORNI TAV. 731 | 21 | RTCP800034 | CORPO PIL.G100 SIT0140026 | VEILLEUSE | PILOT BODY | PILOTBRENNER |
| FORNI TAV. 731 | 22 | RTCP800033 | CAND.ROT.G100 CAST0772183 | BOUGIE OXIDE RONDO | SPARK PLUG | ZÜNDKERZE |
| FORNI TAV. 731 | 23 | RTFOC00241 | TERMOCOPPIA INT/BIF | THERMOCOUPLE INT/BIF | THERMOELEMENT INT/BIF | THERMOELEMENT |
| FORNI TAV. 731 | 24 | RTCU800183 | BICONO D.6 G4SF SIT0957010 | BICONE D.6 | DOUBLE CONE D.6 | DOPPELKONUS D.6 |
| FORNI TAV. 731 | 25 | RTCU900215 | RACCORDO CAND.PIL.ST.0974037 | RACCORD BOUGIE D'ALLUMAGE | UNION SPARK PLUG | ANSCHLUSS ZÜNDKERZE |
| FORNI TAV. 731 | 26 | RTCU700005 | CAVO ACC.F.FCV/140(B+C) | CABLE D'ALLUMAGE | CABLE FOR PIEZO LIGHTING | KABEL ANZ ÜNDER |
| FORNI TAV. 731 | 27 | RTCP800041 | INIET.PIL.D.019 G100 0977092 | INJECTEUR VEILLEUSE Ø 0,19 POUR GPL | INJECTOR PILOT Ø 0,19 FOR LPG | FLÜSSIGGASEINSPRITZER Ø 0,19 |
| FORNI TAV. 731 | 27-1 | RTCP800040 | INIET.PIL.D.036 G100 0977091 | INJECTEUR POUR VEILLEUSE Ø 0,36 | PILOT INJECTOR Ø 0,36 | PILOTBRENNEREINSPRITZER Ø 0,36 |
| FORNI TAV. 731 | 28 | RTCU800182 | CALOTTA AC.D.6 G4SF SIT0958047 | CALOTTE D.6 | CAP D.6 | MUTTER D.6 |
| FORNI TAV. 731 | 29 | RTFOC00491 | TU.PILOTA BRUC.FGC060/1 | INJECTEUR BRÛLEUR PILOTBRENNER | BURNERPIPE | ROHR PILOTBRENNER |
| FORNI TAV. 731 | 3 | PAFOC00566 | CONV.ARIA FGC100/1 | CONVOYEUR DE L'AIR | CHIMNEY | SCHORNSTEIN |
| FORNI TAV. 731 | 30 | RTCP900087 | NIPLES CP OT/M/1/2"XM20/D.14 | NIPLES 1/2" X M20 | NIPLES 1/2" X M20 | NIPPEL 1/2" X M20 |
| FORNI TAV. 731 | 31 | RTFOC00095 | VALVOLA GAS | VALVE GAS | VALVE GAS | VENTIL GAS |
| FORNI TAV. 731 | 32 | RTFOC00023 | A/DISTURBO FCV.F43LN3100ZF00K | ANTI-PERTURBATION | ANTIJAMMING FILTER | FILTER A/STÖRUNG |
| FORNI TAV. 731 | 33 | RTFOC00188 | *MAGNETE+CAVI V.FGC060 0006245 | MAGNETO | MAGNET | MAGNET |
| FORNI TAV. 731 | 34 | RTFOC00391 | PROLUNGA VALV.TURCHESE 1529770 | RALLONGE VALVE | VALVE EXTENSION | VERLÄNGERUNG VENTIL |
| FORNI TAV. 731 | 35 | RTFOC00100 | GUARNIZ.AS.RAMPA FGC060 | GARNITURE RAMPE DU GAZ | GASKET RAMP GAS | DICHTUNG RAMPE GAS |
| FORNI TAV. 731 | 36 | RTFOC00327 | AS.RAMPA FGC100 ZINC. | RAMPE DU GAZ | RAMP GAS | RAMPE GAS |
| FORNI TAV. 731 | 37 | RTFOC00475 | RAMPA SC.COND.FGC100/1 | RAMPE DE DÉCHARGEMENT CONDENSE | RAMP CONDENSE | RAMPE DUNSTABZUG |
| FORNI TAV. 731 | 38 | RTMIN00304 | FASCETTA | BANDE | CLAMP | SHELLE |
| FORNI TAV. 731 | 39 | MPGOM12T00 | TUBO GOMMA | TUBE EN CAOUTCHAUC | RUBBER PIPE | ROHR GUMMI |
| FORNI TAV. 731 | 4 | RTFOC00492 | TU.UMIDIFICATORE FEC100/1 | HUMIDIFICATEUR | HUMIDIFIER | BEFEUCHTER |
| FORNI TAV. 731 | 40 | RTFOC00527 | GRIGLIA LAT. DX-SX GN 1/1 | GRILLE LATÉRALE DROITE-GAUCHE GN 1/1 | GRILL SIDERIGHT-LEFT GN 1/1 | GRILL SEITERECHTS-LINKS GN 1/1 |
| FORNI TAV. 731 | 40 | RTFOC00527 | GRIGLIA LAT.FCVM/10G INOX | GRILLE LATÉRALE DROITE -GAUCHE | GRILL SIDERIGHT -LEFT | GRILL SEITERECHTS -LINKS |
| FORNI TAV. 731 | 41 | RTFOC00175 | GRIGLIA FORNO GN 1/1 | GRILLE DU FOUR GN 1/1 | GRILL OVEN GN 1/1 | GRILL HERD GN 1/1 |
| FORNI TAV. 731 | 42 | RTFOC00590 | GRIGLIA LAT.DX F.FCVP/8G INOX | GRILLE LATÉRALE DROITE PÂTISSERIE | GRILL SIDERIGHT PASTRY | GRILL SEITE RECHTS KUNSTSTOFF |
| FORNI TAV. 731 | 43 | RTFOC00083 | GRIGLIA PASTIC. | GRILLE PÂTISSERIE | GRILL PASTRY | GRILL GEBÄCK |
| FORNI TAV. 731 | 44 | RTFOC00591 | GRIGLIA LAT.SX F.FCVP/8G INOX | GRILLE LATÉRALE GAUCHE PÂTISSERIE | GRILL SIDELEFT PASTRY | GRILL SEITE LINKS KUNSTSTOFF. |
| FORNI TAV. 731 | 45 | RTCP900088 | BICONO D.14 CP | BICONE | DOUBLE CONE | DOPPELKONUS |
| FORNI TAV. 731 | 46 | RTCP900089 | CALOTTA OT.D.14 CP | ECROU | NUT | MUTTER |
| FORNI TAV. 731 | 5 | RTFOC00557 | INIET.UMIDIF.FCV D.1.5 | INJECTEUR HUMIDIFICATEUR | INJECTOR HUMIDIFIER | EINSPRITZER BEFEUCHTER |
| FORNI TAV. 731 | 6 | RTCU900018 | BICONO D.6 PEL0905 | BICONE POUR TUBE Ø 6 | BICONE FOR PIPE Ø 6 | ZWEIKEGEL Ø 6 |
| FORNI TAV. 731 | 7 | RTFOC00020 | CALOTTA UMIDIF.FCV. | ECROU | NUT | MUTTER |

| | | | | | | |
|----------------|---|------------|-------------------------------|----------------------|-----------------|----------------------|
| FORNI TAV. 731 | 8 | RTFOC00750 | TU.AL.ACQ.UMIDIF.FGC100/1 | TUBE HUMIDIFICATEUR | PIPE HUMIDIFIER | ROHR BEFEUCHTER |
| FORNI TAV. 731 | 9 | RTFOC00120 | REGOLAT.E/VALV.FCV.ROSSO/0,25 | RÉGULATEUR DE PORTÉE | FLOWREGULATOR | DURCHSTRÖMUNGSREGLER |



JOKER

FGP 080

TAV. 732

| | | | | | | |
|----------------|------|------------|--------------------------------|-----------------------------|--------------------------|----------------------------------|
| FORNI TAV. 732 | 1 | RTCU900072 | LAMP.SP.GIALLA/250V/TBF013.SF6 | LAMPE TÉMOIN JAUNE | YELLOW WARNING LAMP | GELBE KONTROLLEUCHTE |
| FORNI TAV. 732 | 10 | RTFOC00034 | TERMOCOPPIA | THERMOCOUPLE | THERMOCOPIA | WAERMEPAAR |
| FORNI TAV. 732 | 11 | RTFOC00047 | FUSIBILE DA 100 MA. | FUSIBLE DA 100 MA. | FUSIBLE DA 100 MA. | SICHERUNG 100 MA. |
| FORNI TAV. 732 | 12 | RTFOC00046 | RONZATORE FCV.E27778010200 | SONNETTE | ALLARM | SUMMER |
| FORNI TAV. 732 | 13 | RTFOC00042 | CICLATORE FCV.D9400/50HZ | IMPULSION DONNEURS 50 HZ | IMPULSE GIVER 50 HZ | IMPULSGEBER 50 HZ |
| FORNI TAV. 732 | 13-1 | RTFOC00184 | CICLATORE FCV.D9400/60HZ | IMPULSION DONNEURS 60 HZ | IMPULSE GIVER 60 HZ | IMPULSGEBER 60 HZ |
| FORNI TAV. 732 | 14 | RTFOC00483 | T.L.FCV/1T350 5510562800 | THERMOSTAT LIMITATEUR | THERMOSTAT LIMIT. OVEN | LIMIT THERMOSTAT |
| FORNI TAV. 732 | 15 | RTFOC00053 | CONDENSATORE FCV 16152220MF450 | CONDENSATEUR | CONDENS. MOTOR | CONDENS. MOTOR |
| FORNI TAV. 732 | 16 | RTBF800129 | ACC.E.GBR SCARICO BK50026-00 | ALLUMAGE ÉLECTRONIQUE | ELECTRONIC LIGHTING | ELEKTRONISCHE BELEUCHTUNG |
| FORNI TAV. 732 | 17 | RTFOC00039 | TRASF.FCV.220/12V ECTSFB000 | TRANSFORMATEUR | TRASFORMATOR | TRASFORMATOR |
| FORNI TAV. 732 | 18 | RTFOC00048 | P/FUSIBILE+PIAS.FCV.VL04+VS0PT | PORTE-FUSIBLES | FUSE HOLDER | SICHERUNGSHALTER |
| FORNI TAV. 732 | 19 | RTFOC00284 | FUSIBILE 6,3 A | FUSIBLE 6,3 A | FUSIBLE 6,3 A | SICHERUNG 6,3 A |
| FORNI TAV. 732 | 2 | RTFOC00694 | COMM.FCV./1 4924915843 | COMMUTATEUR | COMMUTATOR | KOMMUTATORGRIFF |
| FORNI TAV. 732 | 20 | RTFOC00465 | RELAIS FCV.3TF3000-0AL2 | RELAIS | RELAY | RELAIS |
| FORNI TAV. 732 | 21 | RTFOC00023 | A/DISTURBO FCV.F43LN3100ZF00K | ANTI-PERTURBATION | ANTIJAMMING FILTER | FILTER A/STÖRUNG |
| FORNI TAV. 732 | 22 | RTFOC00469 | CONTATTI A.FCV.3TX4001-2A | AUXILIARIE CONTACT | AUXILIARY CONTACT | HILFSANSCHLÜSSE |
| FORNI TAV. 732 | 23 | RTFOC00309 | A/DISTURBO FGC060 411105082 | ANTI-PERTURBATION | ANTIJAMMING FILTER | FILTER A/STÖRUNG |
| FORNI TAV. 732 | 24 | RTBF900045 | MORSETTIERA C4EF+SIMB/1-6 | GRUPE DE CONNECTION 6 POLES | TERMINAL BLOCK 6 POLES | KLEMMBRETT 6 POLIG |
| FORNI TAV. 732 | 25 | RTFOC00048 | P/FUSIBILE+PIAS.FCV.VL04+VS0PT | PORTE-FUSIBLES | FUSE HOLDER | SICHERUNGSHALTER |
| FORNI TAV. 732 | 3 | 160910 | MANOPOLA | BOUTON | KNOB | DREHGRIFF |
| FORNI TAV. 732 | 4 | RTFOC00030 | TIMER 50HZ | TIMER 50HZ | TIMER 50HZ | TIMER 50HZ |
| FORNI TAV. 732 | 4-1 | RTFOC00185 | TIMER FCV.D94443/60HZ | TIMER 60HZ | TIMER 60HZ | TIMER 60HZ |
| FORNI TAV. 732 | 5 | RTFOC00029 | TERMOSTATO ELETTRONICO | THERMOSTAT ELECTRONIQUE | THERMOSTAT ELETTRONICO | ELEKTRONIKTHERMOSTAT |
| FORNI TAV. 732 | 6 | RTFOC00362 | PULSANTE 2VELOC.FCV.BIP.GRIGIO | BOUTON DOUBLE VITESSE | PUSHBUTTON DOPPIA VELOC. | SCHALTER DOPELTE GESCHWINDIGKEIT |
| FORNI TAV. 732 | 7 | RTFOC00387 | PULSANTE LUCE DOMINO GRIGIO | BOUTON LUMIÈRE DU FOUR | PUSHBUTTON LIGHT OVEN | SCHALTER LICHT HERD |
| FORNI TAV. 732 | 8 | RTCU800066 | REGOLATORE ENERGIA | REGULATEUR DE ENERGIE | POWER REGULATOR | REGLER ENERGIE |
| FORNI TAV. 732 | 9 | RTFOC00464 | SONDA C/CM.42 FCVM MBM00007 | SONDE | PROBE | SONDE |